

GENERAL PRICE

Bedrooms

PLAZA

451115

80 0,45 5 01017010290

Bed without motif

- For mattresses 1600x2000
- Led's (optional)

Price		
Possible Finishes	Point	
BX + BX/LM	68	451901
BX + LB 104	73	10
BX + LB Others	78	

451116

80 0,45 5 01017010290

Bed without motif

- For mattresses 1400x1900
- Led's (optional)

Price		
Possible Finishes	Point	
BX + BX/LM	68	451901
BX + LB 104	73	10
BX + LB Others	78	

451105

80 0,45 5 01017010290

Bed with motif

- For mattresses 1600x2000
- Led's (optional)

Price		
Possible Finishes	Point	
BX + LM	74	451901
BX + LB 104	79	10
BX + LB Others	84	

451106

80 0,45 5 01017010290

Bed with motif

- For mattresses 1400x1900
- Led's (optional)

Price		
Possible Finishes	Point	
BX + LM	73	451901
BX + LB 104	79	10
BX + LB Others	84	

451125

80 0,45 5 1017010290

Bed with covered headboard

- For mattresses 1600x2000
- Led's (optional)

Price		
Possible Finishes	Point	
Fabric	79	451901
Imitation leather	79	10

451126

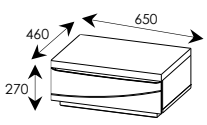
80 0,45 5 01017010290

Bed with covered headboard

- For mattresses 1400x1900
- Led's (optional)

Price		
Possible Finishes	Point	
Fabric	79	451901
Imitation leather	79	10


451132



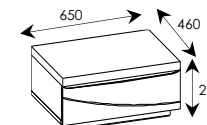
KG 14 M3 0,081 Vol. 1 ECO 01017010250

Bedside - 1D Left

- With 1 drawer
- With motif
- Led's (optional)

Price		
Possible Finishes	Point	
BX + LM	24	451902
BX + LB 104	25	3
BX + LB Autres	26	


451133



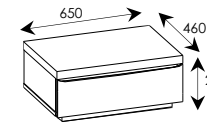
KG 14 M3 0,081 Vol. 1 ECO 01017010250

Bedside - 1D Right

- With 1 drawer
- With motif
- Led's (optional)

Price		
Possible Finishes	Point	
BX + LM	24	451902
BX + LB 104	25	3
BX + LB Others	26	


451134



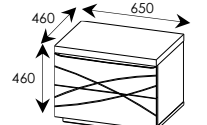
KG 14 M3 0,081 Vol. 1 ECO 01017010250

Bedside - 1D

- With 1 drawer
- Without motif
- Led's (optional)

Price		
Possible Finishes	Point	
BX + BX/LM	21	451902
BX + LB 104	22	3
BX + LB Others	23	


451136



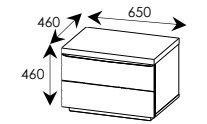
KG 16 M3 0,138 Vol. 1 ECO 01017010250

Bedside - 2D

- With 2 drawer
- With motif
- Led's (optional)

Price		
Possible Finishes	Point	
BX + LM	41	451902
BX + LB 104	42	3
BX + LB Others	43	


451138



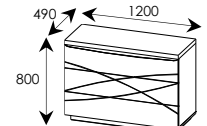
KG 16 M3 0,138 Vol. 1 ECO 01017010250

Bedside - 2D

- With 2 drawer
- Without motif
- Led's (optional)

Price		
Possible Finishes	Point	
BX + BX/LM	37	451902
BX + LB 104	38	3
BX + LB Others	39	


451130



KG 83 M3 0,47 Vol. 1 ECO 01017010290

Dresser- 3D

- With 3 drawer
- With motif
- Led's (optional)

Price		
Possible Finishes	Point	
BX + LM	69	451903
BX + LB 104	73	5
BX + LB Others	77	

Bedrooms

PLAZA

451131

490 1200 800

KG **M3** **Vol.** **ECO**

83 0,47 1 01017010290

Dresser- 3D

- With 3 drawer
- Without motif
- Led's (optional)

Price		
Possible Finishes	Point	
BX + LM	63	451903
BX + LB 104	67	5
BX + LB Others	71	

451140

30 1000 700

KG **M3** **Vol.** **ECO**

29 0,021 2 01017010260

Mirror 1000

- Espelho a fixar à parede

Price	
Possible Finishes	Point
BX	14
LM	

451142

600 2400 2240

KG **M3** **Vol.** **ECO**

282 3,226 9 03017010310

Wardrobe 2 sliding doors 2400

- 2 sliding glass doors
- 2 Drawers
- 4 wooden shelves
- 2 wardrobes

Price	
Possible Finishes	Point
Glass Color	165
Extra Clear Glass	180

451145

600 2000 2240

KG **M3** **Vol.** **ECO**

270 3,226 8 03018010290

Wardrobe 2 sliding doors 2400

- 2 sliding glass doors
- 4 wooden shelves
- 2 wardrobes

Price	
Possible Finishes	Point
Glass Color	140
Extra Clear Glass	155

451146

600 2000 2240

KG **M3** **Vol.** **ECO**

244 2,688 9 03107010310

Wardrobe 2 sliding doors 2000

- 2 sliding glass doors
- 2 Drawers
- 4 wooden shelves
- 2 wardrobes

Price	
Possible Finishes	Point
Glass Color	155
Extra Clear Glass	170

451147

600 2000 2240

KG **M3** **Vol.** **ECO**

234 2,688 9 03018010290

Wardrobe 2 sliding doors 2000

- 2 sliding glass doors
- 4 wooden shelves
- 2 wardrobes

Price	
Possible Finishes	Point
Glass Color	130
Extra Clear Glass	145

451143

KG M3 Vol. ECO

69 0,314 1 01017010290

5 Drawers Chest

- With 5 drawers
- Without motif
- Led's (optional)

Price		
Possible Finishes	Point	
BX + BX/LM	63	451904
BX + LB 104	67	3
BX + LB Others	71	

451144

KG M3 Vol. ECO

75 0,428 1 01017010290

7 Drawers Chest

- With 7 drawers
- Without motif
- Led's (optional)

Price		
Possible Finishes	Point	
BX + BX/LM	78	451904
BX + LB 104	82	3
BX + LB Others	86	

Sideboards

PLAZA

451205

KG 70 M3 0,507 Vol. 1 ECO 01017010290

- Sideboard 2 doors**
- With 2 doors
 - With 1 glass shelf
 - Without motif
 - Without interior drawer (optional)
 - Led's (optional)

Price		
Possible Finishes	Point	
BX + BX/LM	62	451905
BX + LB 104	61	5
BX + LB Others	64	

451206

KG 70 M3 0,507 Vol. 1 ECO 01017010290

- Sideboard 2 doors**
- With 2 doors
 - With 1 glass shelf
 - With motif
 - Without interior drawer (optional)
 - Led's (optional)

Price		
Possible Finishes	Point	
BX + LM	63	451905
BX + LB 104	66	5
BX + LB Others	69	

451201

KG 118 M3 0,845 Vol. 1 ECO 01017010300

- Sideboard 3 doors**
- With 3 doors
 - With 2 glass shelf
 - Without motif
 - Without interior drawer (optional)
 - Led's (optional)

Price		
Possible Finishes	Point	
BX + BX/LM	78	451906
BX + LB 104	83	7
BX + LB Others	88	

451202

KG 118 M3 0,845 Vol. 1 ECO 01017010300

- Sideboard 3 doors**
- With 3 doors
 - With 2 glass shelf
 - With motif
 - Without interior drawer (optional)
 - Led's (optional)

Price		
Possible Finishes	Point	
BX + LM	84	451906
BX + LB 104	89	7
BX + LB Others	94	

451203

KG 140 M3 1,014 Vol. 1 ECO 01017010300

- Sideboard 4 doors**
- With 4 doors
 - With 2 glass shelf
 - Without motif
 - Without interior drawer (optional)
 - Led's (optional)

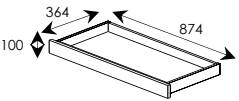
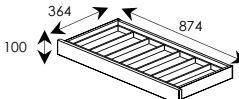
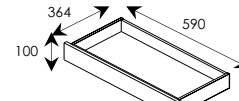
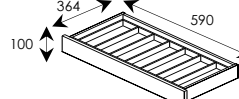
Price		
Possible Finishes	Point	
BX + BX/LM	113	451907
BX + LB 104	118	8
BX + LB Others	123	

451204

KG 140 M3 1,014 Vol. 1 ECO 01017010300

- Sideboard 4 doors**
- With 4 doors
 - With 2 glass shelf
 - With motif
 - Without interior drawer (optional)
 - Led's (optional)

Price		
Possible Finishes	Point	
BX + LM	123	451907
BX + LB 104	128	8
BX + LB Others	133	

<p>451291</p> 	<p>Drawer int. without covered storage</p> <ul style="list-style-type: none"> • For 2 and 4 door sideboards • This drawer is sold only with the chest 	<table border="1"> <thead> <tr> <th colspan="2">Price</th> </tr> <tr> <th>Possible Finishes</th> <th>Point</th> </tr> </thead> <tbody> <tr> <td>Textile melamine</td> <td>7</td> </tr> </tbody> </table>	Price		Possible Finishes	Point	Textile melamine	7
Price								
Possible Finishes	Point							
Textile melamine	7							
<p>451290</p> 	<p>Drawer int. with covered storage</p> <ul style="list-style-type: none"> • For 2 and 4 door sideboards • This drawer is sold only with the chest 	<table border="1"> <thead> <tr> <th colspan="2">Price</th> </tr> <tr> <th>Possible Finishes</th> <th>Point</th> </tr> </thead> <tbody> <tr> <td>Textile melamine</td> <td>11</td> </tr> </tbody> </table>	Price		Possible Finishes	Point	Textile melamine	11
Price								
Possible Finishes	Point							
Textile melamine	11							
<p>451293</p> 	<p>Drawer int. without covered storage</p> <ul style="list-style-type: none"> • For 3 door sideboards • This drawer is sold only with the chest 	<table border="1"> <thead> <tr> <th colspan="2">Price</th> </tr> <tr> <th>Possible Finishes</th> <th>Point</th> </tr> </thead> <tbody> <tr> <td>Textile melamine</td> <td>6</td> </tr> </tbody> </table>	Price		Possible Finishes	Point	Textile melamine	6
Price								
Possible Finishes	Point							
Textile melamine	6							
<p>451292</p> 	<p>Drawer int. with covered storage</p> <ul style="list-style-type: none"> • For 3 door sideboards • This drawer is sold only with the chest 	<table border="1"> <thead> <tr> <th colspan="2">Price</th> </tr> <tr> <th>Possible Finishes</th> <th>Point</th> </tr> </thead> <tbody> <tr> <td>Textile melamine</td> <td>10</td> </tr> </tbody> </table>	Price		Possible Finishes	Point	Textile melamine	10
Price								
Possible Finishes	Point							
Textile melamine	10							

Dining Table

PLAZA

451234

90 1,389 3 BX: 01019010290
CM: 01019080300

Dining Table 1400 fixe

- 1400 fixed dining table
- BX wood or CM ceramic top

Price		
Possible Finishes		Point
Feet	Top	
BX	BX	67
	CM - S01	77
	CM - S03	80

451235

90 1,389 3 BX: 01019010290
CM: 01019080300

Dining Table 1600 fixe

- 1600 fixed dining table
- BX wood or CM ceramic top

Price		
Possible Finishes		Point
Feet	Top	
BX	BX	67
	CM - S01	77
	CM - S03	80

451236

90 1,389 3 BX: 01019010290
CM: 01019080300

Dining Table 1800 fixe

- 1800 fixed dining table
- BX wood or CM ceramic top

Price		
Possible Finishes		Point
Feet	Top	
BX	BX	67
	CM - S01	77
	CM - S03	80

451237

100 1,389 4 BX: 01019010290
CM: 01019080300

Dining Table 1400 ext.

- Dining table 1400 ext 1 extension of 600
- BX wood or CM ceramic top
- Be careful with ceramic tops, extensions are always ceramic.

Price		
Possible Finishes		Point
Feet	Top	
BX	BX	96
	CM - S01	110
	CM - S03	114

451238

100 1,389 4 BX: 01019010290
CM: 01019080300

Dining Table 1600 ext

- Dining table 1600 ext 1 extension of 600
- BX wood or CM ceramic top
- Be careful with ceramic tops, extensions are always ceramic.

Price		
Possible Finishes		Point
Feet	Top	
BX	BX	96
	CM - S01	110
	CM - S03	114

451239

100 1,389 4 BX: 01019010290
CM: 01019080300

Dining Table 1800 ext

- Dining table 1800 ext 1 extension of 600
- BX wood or CM ceramic top
- Be careful with ceramic tops, extensions are always ceramic.

Price		
Possible Finishes		Point
Feet	Top	
BX	BX	96
	CM - S01	110
	CM - S03	114

451240

1000
1800/2300/2800
771,5

KG **M3** **Vol.** **ECO**

110 1,389 4 BX: 01019010290
CM: 01019080300

Table de repas 1800 ext

- Dining table 1800 ext 2 extension of 500
- BX wood or CM ceramic top
- Be careful with ceramic tops, extensions are always ceramic.

Price		Point
Possible Finishes		
Feet	Top	
BX	BX	102
	CM - S01	117
	CM - S03	123

451230

1000
1400
771,5

KG **M3** **Vol.** **ECO**

90 1,389 3 BX: 01019010290
VR: 01019070300

Table de repas 1400 fixe

- 1400 fixed dining table
- Lacquered glass top

Price		Point
Possible Finishes		
Feet	Top	
BX	Color glass	78
	Extra clear glass	89

451231

1000
1600
771,5

KG **M3** **Vol.** **ECO**

90 1,389 3 BX: 01019010290
CM: 01019070300

Table de repas 1600 fixe

- 1600 fixed dining table
- Lacquered glass top

Price		Point
Possible Finishes		
Feet	Top	
BX	Color glass	78
	Extra clear glass	89

451232

1000
1800
771,5

KG **M3** **Vol.** **ECO**

90 1,389 3 BX: 01019010290
VR: 01019070300

Table de repas 1800 fixe

- 1800 fixed dining table
- Lacquered glass top

Price		Point
Possible Finishes		
Feet	Top	
BX	Color glass	78
	Extra clear glass	89

451247

1000
1400/2000
771,5

KG **M3** **Vol.** **ECO**

100 1,389 4 BX: 01019010290
VR: 01019070300

Table de repas 1400 ext

- Dining table 1400 ext 1 extension of 600
- Lacquered glass top

Price		Point
Possible Finishes		
Feet	Top	
BX	Color glass	107
	Extra clear glass	118

451248

1000
1600/2200
771,5

KG **M3** **Vol.** **ECO**

100 1,389 4 BX: 01019010290
VR: 01019070300

Table de repas 1600 ext

- Dining table 1600 ext 1 extension of 600
- Lacquered glass top

Price		Point
Possible Finishes		
Feet	Top	
BX	Color glass	107
	Extra clear glass	118

451249

1000
1800/2400
771,5

KG **M3** **Vol.** **ECO**

100 1,389 4 BX: 01019010290
VR: 01019070300

Table de repas 1800 ext

- Dining table 1800 ext 1 extension of 600
- Lacquered glass top

Price		Point
Possible Finishes		
Feet	Top	
BX	Color glass	107
	Extra clear glass	118

Dining Table

PLAZA

451252

KG: 110 M3: 1,389 Vol.: 4

BX: 01019010290 VR: 01019070300

Dining Table 1800 ext

- Dining table 1800 ext 2 extension of 600
- Lacquered glass top

451244

KG: 90 M3: 1,003 Vol.: 3

BX: 01019010290 CM: 01019080300

Dining Table 1300x1300 fixe

- Fixed 1300x1300 square dining table
- BX wood or CM ceramic top

451243

KG: 100 M3: 1,003 Vol.: 3

BX: 01019010290 CM: 01019080300

Dining Table 1300x1300 ext

- Square dining table 1300x1300 ext 1 extension of 600
- BX wood or CM ceramic top
- Be careful with ceramic tops, extensions are always ceramic.

451245

KG: 90 M3: 1,003 Vol.: 3

BX: 01019010290 VR: 01019070300

Dining Table 1300x1300 fixe

- Fixed 1300x1300 square dining table
- Lacquered glass top

451246

KG: 100 M3: 1,003 Vol.: 3

BX: 01019010290 VR: 01019070300

Dining Table 1300x1300 ext

- Square dining table 1300x1300 ext 1 extension of 600
- Lacquered glass top

691231

KG: 97 M3: 0,485 Vol.: 3

BX: 01019010290 CM: 01019080300

Dining Table 1600x1000 ext

- Dining table 1600x1000 ext 1 extension of 600
- BX wood or CM ceramic top
- Be careful with ceramic tops, extensions are always ceramic.

Price

Possible Finishes		Point
Feet	Top	
BX	Color glass	106
	Extra clear glass	117

Price

Possible Finishes		Point
Feet	Top	
BX	BX	67
	CM - S03	80

Price

Possible Finishes		Point
Feet	Top	
BX	BX	96
	CM - S03	115

Price

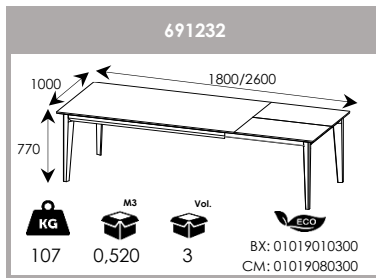
Possible Finishes		Point
Feet	Top	
BX	Color glass	78
	Extra clear glass	89

Price

Possible Finishes		Point
Feet	Top	
BX	Color glass	107
	Extra clear glass	118

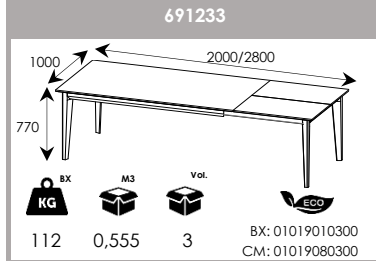
Price

Possible Finishes		Point
Feet	Top	
BX ou LF	BX	85
	CM - S01	107
	CM - S03	121



Dining Table 1800x1000 ext

- Dining table 1800x1000 ext 1 extension of 800
- BX wood or CM ceramic top
- Be careful with ceramic tops, extensions are always ceramic.



Dining Table 2000x1000 ext

- Dining table 2000x1000 ext 1 extension of 800
- BX wood or CM ceramic top
- Be careful with ceramic tops, extensions are always ceramic.

Price		
Possible Finishes		Point
Feet	Top	
BX ou LF	BX	90
	CM - S01	113
	CM - S03	132

Price		
Possible Finishes		Point
Feet	Top	
BX ou LF	BX	92
	CM - S01	118
	CM - S03	138

DINING TABLE

Chairs

PLAZA

451280

21 0,281 1 01001010010

Plaza Chair

- Chair in fabric or imitation leather
- Without motif

Price		
Possible Finishes		Point
Feet	Front	
BX	BX / LM	17
	LB-104	18
	LB	19

451281

21 0,281 1 01001010010

Plaza Chair

- Chair in fabric or imitation leather
- With rear cross member motif

Price		
Possible Finishes		Point
Feet	Front	
BX	BX / LM	19
	LB-104	20
	LB	21

451282

21 0,281 1 01001010010

Plaza Chair

- Chair in fabric or imitation leather
- With cross motif on both sides

Price		
Possible Finishes		Point
Platter	Front	
BX / LM	BX / LM	21
	LB-104	22
	LB	23

451286

21 0,196 1 01001010010

Plaza stool

- Stool in fabric or imitation leather
- Without motif

Price		
Possible Finishes		Point
Platter	Front	
BX / LM	BX / LM	16
	LB-104	17
	LB	18

451287

21 0,196 1 01001010010

Plaza stool

- Chairs in fabric or imitation leather
- With rear cross member motif

Price		
Possible Finishes		Point
Platter	Front	
BX / LM	BX / LM	18
	LB-104	19
	LB	20

451288

21 0,196 1 01001010010

Plaza stool

- Stool in fabric or imitation leather
- With cross motif on both sides

Price		
Possible Finishes		Point
Platter	Front	
BX / LM	BX / LM	20
	LB-104	21
	LB	22

691280

7 x 2
 0,380
 1 (2un)
 01001010010

Settle Chair

- Chaise en tissu ou imitation cuir

Price	
Possible Finishes	
Feet	Point
BX	15
LF	

Modules

PLAZA

451490

100
 0,616
 1
 01017010290

- Bar furniture with motif**
- 1 glass support
 - 1 drawer
 - 3 glass shelves
 - 1 sliding door
 - Bottle rack (optional)
 - Leds on top and shelves (optional)

451491

100
 0,616
 1
 01017010290

- Bar furniture without motif**
- 1 glass support
 - 1 drawer
 - 3 glass shelves
 - 1 sliding door
 - Bottle rack (optional)
 - Leds on top and shelves (optional)

451453

130
 1,039
 2
 01017010290

- Bar Showcase without doors**
- 1 drawer
 - 3 glass shelves
 - 1 Mirror
 - Leds on top and shelves (optional)

451454

130
 1,034
 2
 01017010290

- Bar Showcase with doors**
- 1 drawer
 - 2 Doors
 - 3 glass shelves
 - 1 Mirror
 - Leds on top and shelves (optional)

451415

130
 0,818
 1
 01017010290

- Module 4D X01**
- With 4 doors
 - With 4 glass shelves
 - Without motif
 - Led's (optional)

Price

Possible Finishes	Point	Lightbulb Icon	Top
BX + LM	75		451921
BX + LB 104	80		6
BX + LB Others	85	Lightbulb Icon	Shelf
Bottle Rack 451492			451922
10			8

Price

Possible Finishes	Point	Lightbulb Icon	Top
BX + LM/BX	69		451921
BX + LB 104	74		6
BX + LB Others	79	Lightbulb Icon	Shelf
Bottle Rack 451492			451922
10			8

Price

Possible Finishes	Point	Lightbulb Icon	Top
BX + BX/LM	80		451924
BX + LB 104	84		5
BX + LB Others	88	Lightbulb Icon	Shelf
			451923
			5

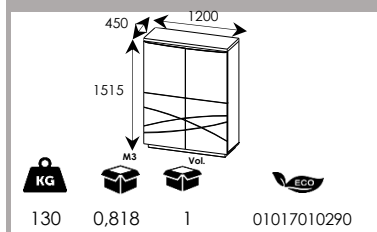
Price

Possible Finishes	Point	Lightbulb Icon	Top
BX + BX/LM	90		451924
BX + LB 104	94		5
BX + LB Others	98	Lightbulb Icon	Shelf
			451923
			5

Price

Possible Finishes	Point	Lightbulb Icon	Top
BX + BX/LM	100		451909
BX + LB 104	105		5
BX + LB Others	110		

451414



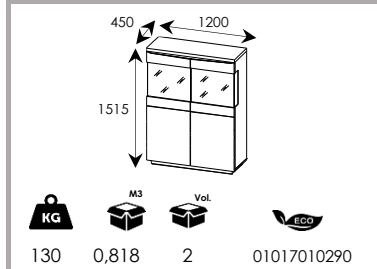
130 0,818 1 01017010290

Module 4D X01

- With 4 doors
- With 4 glass shelves
- With motif
- Led's (optional)

Price		
Possible Finishes	Point	Light Top
BX + LM	105	451909
BX + LB 104	111	5
BX + LB Others	117	

451425



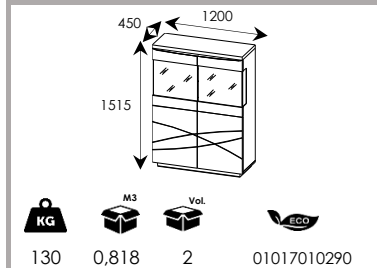
130 0,818 2 01017010290

Module 4D X05

- With 4 full glass doors
- With 4 glass shelves
- Without motif
- Led's (optional)

Price		
Possible Finishes	Point	Light Top
BX + BX/LM	104	451909
BX + LB 104	110	5
BX + LB Others	116	Light Shelf
		451908
		5

451423



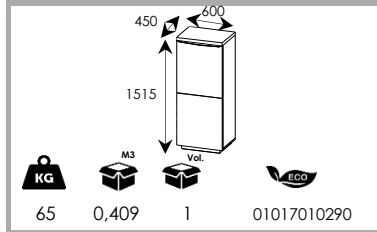
130 0,818 2 01017010290

Module 4D X05

- With 4 full glass doors
- With 4 glass shelves
- With motif
- Led's (optional)

Price		
Possible Finishes	Point	Light Top
BX + LM	109	451909
BX + LB 104	115	5
BX + LB Others	121	Light Shelf
		451908
		5

451431



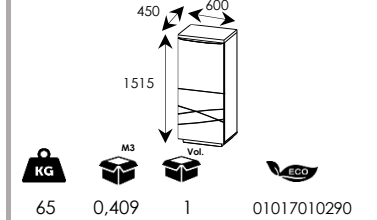
65 0,409 1 01017010290

Module 2D X21

- With 2 doors
- With 2 glass shelves
- Without motif
- Led's (optional)

Price		
Possible Finishes	Point	Light Top
BX + BX/LM	63	451911
BX + LB 104	66	3
BX + LB Others	69	

451430



65 0,409 1 01017010290

Module 2D X21

- With 2 doors
- With 2 glass shelves
- With motif
- Led's (optional)

Price		
Possible Finishes	Point	Light Top
BX + LM	68	451911
BX + LB 104	71	3
BX + LB Others	74	

451432

65 0,409 2 01017010290

KG M3 Vol. ECO

Module 2D X25

- With 2 full glass doors
- With 2 glass shelves
- Without motif
- Led's (optional)

Price			
Possible Finishes	Point	Lightbulb	Top
BX + BX/LM	65		451911
BX + LB 104	68		3
BX + LB Others	71	Lightbulb	Shelf
		451910	
		6	

451434

65 0,409 2 01017010290

KG M3 Vol. ECO

Module 2D X25

- With 2 full glass doors
- With 2 glass shelves
- With motif
- Led's (optional)

Price			
Possible Finishes	Point	Lightbulb	Top
BX + LM	69		451911
BX + LB 104	72		3
BX + LB Others	75	Lightbulb	Shelf
		451910	
		6	

451416

140 1,08 1 01017010290

KG M3 Vol. ECO

Vitrine 4D 01

- With 4 doors
- With 6 glass shelves
- Without motif
- Led's (optional)

Price			
Possible Finishes	Point	Lightbulb	Top
BX + BX/LM	133		451913
BX + LB 104	139		5
BX + LB Others	145		

451417

140 1,08 1 01017010290

KG M3 Vol. ECO

Vitrine 4D 01

- With 4 doors
- With 6 glass shelves
- With motif
- Led's (optional)

Price			
Possible Finishes	Point	Lightbulb	Top
BX + LM	139		451913
BX + LB 104	145		5
BX + LB Others	151		

451429

140 1,08 2 01017010290

KG M3 Vol. ECO

Vitrine 4D 05

- With 2 full glass doors
- With 4 glass shelves
- Without motif
- Led's (optional)

Price			
	Point	Lightbulb	Top
BX + BX/LM	116		451913
BX + LB 104	122		5
BX + LB Others	128	Lightbulb	Shelf
		451912	
		10	

451451

140
 1,08
 2
 01017010290

Vitrine 4D 05

- With 2 full glass doors
- With 4 glass shelves
- With motif
- Led's (optional)

Price			
Possible Finishes	Point	Light	Top
BX + LM	122		451913
BX + LB 104	128		5
BX + LB Others	134	Light	Shelf
			451912
			10

451436

75
 0,54
 1
 01017010290

Vitrine 2D 21

- With 2 doors
- With 2 glass shelves
- Without motif
- Led's (optional)

Price			
Possible Finishes	Point	Light	Top
BX + BX/LM	81		451915
BX + LB 104	87		3
BX + LB Others	93		

451437

75
 0,54
 1
 01017010290

Vitrine 2D 21

- With 2 doors
- With 2 glass shelves
- With motif
- Led's (optional)

Price			
Possible Finishes	Point	Light	Top
BX + LM	86		451915
BX + LB 104	92		3
BX + LB Others	98		

451438

75
 0,54
 2
 01017010290

Vitrine 2D 25

- With 2 full glass doors
- With 3 glass shelves
- Without motif
- Led's (optional)

Price			
Possible Finishes	Point	Light	Top
BX + BX/LM	75		451915
BX + LB 104	81		3
BX + LB Others	87	Light	Shelf
			451914
			6

451440

75
 0,54
 2
 01017010290

Vitrine 2D 25

- With 2 full glass doors
- With 3 glass shelves
- With motif
- Led's (optional)

Price			
Possible Finishes	Point	Light	Top
BX + LM	80		451915
BX + LB 104	86		3
BX + LB Others	92	Light	Shelf
			451914
			6

TV Unit

PLAZA

451401

KG M3 Vol. ECO
68 0,425 1 01017010290

TV Unit 01 2D + 1N

- With 2 drawers and 1 niche
- With 1 glass shelf
- Without motive
- Led's (optional)

Price			
Possible Finishes	Point	Lightbulb Icon	Top
BX + BX/LM	72		451916
BX + LB 104	77		8
BX + LB Outros	82	Lightbulb Icon	Niche
			451918
			3

451402

KG M3 Vol. ECO
58 0,425 1 01017010290

TV Unit 01 2DD+ 1N

- With 2 drop-down doors and 1 niche
- With 1 glass shelf
- Without motif
- Led's (optional)

Price			
Possible Finishes	Point	Lightbulb Icon	Top
BX + BX/LM	55		451916
BX + LB 104	59		8
BX + LB Outros	63	Lightbulb Icon	Niche
			451918
			3

451403

KG M3 Vol. ECO
63 0,425 1 01017010290

TV Unit 01 1D + 1N + 1DD

- With 1 drawer, 1 niche and 1 drop-down door
- With 1 glass shelf
- Without motif
- Led's (optional)

Price			
Possible Finishes	Point	Lightbulb Icon	Top
BX + BX/LM	64		451916
BX + LB 104	68		8
BX + LB Outros	72	Lightbulb Icon	Niche
			451918
			3

451404

KG M3 Vol. ECO
65 0,365 1 01017010290

TV Unit 01 2D + 1N

- With 2 drawers and 1 niche
- With 1 glass shelf
- Without motif
- Led's (optional)

Price			
Possible Finishes	Point	Lightbulb Icon	Top
BX + BX/LM	68		451917
BX + LB 104	73		6
BX + LB Outros	78	Lightbulb Icon	Niche
			451918
			3

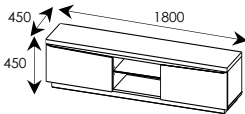




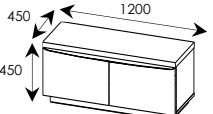




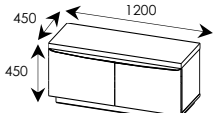




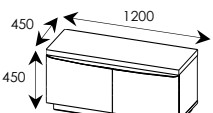




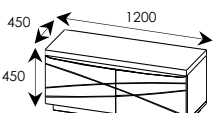




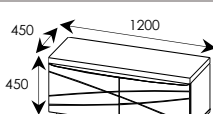




451405

KG M3 Vol. ECO
55 0,365 1 01017010290

TV Unit 01 2DD+ 1N

- With 2 drop-down doors and 1 niche
- With 1 glass shelf
- Without motif
- Led's (optional)

Price			
Possible Finishes	Point	Lightbulb Icon	Top
BX + BX/LM	51		451917
BX + LB 104	55		6
BX + LB Outros	59	Lightbulb Icon	Niche
			451918
			3

<p>451406</p>  <p>  KG 58  M3 0,365  Vol. 1  ECO 01017010290 </p>
<p>451407</p>  <p>  KG 45  M3 0,243  Vol. 1  ECO 01017010280 </p>
<p>451408</p>  <p>  KG 40  M3 0,243  Vol. 1  ECO 01017010280 </p>
<p>451409</p>  <p>  KG 42  M3 0,243  Vol. 1  ECO 01017010280 </p>
<p>451410</p>  <p>  KG 45  M3 0,243  Vol. 1  ECO 01017010290 </p>
<p>451411</p>  <p>  KG 40  M3 0,243  Vol. 1  ECO 01017010280 </p>

<p>TV Unit 01 1D + 1N + 1DD</p> <ul style="list-style-type: none"> • With 1 drawer, 1 niche and 1 drop-down door • With 1 glass shelf • Without motif • Led's (optional)
<p>TV Unit 02 2D</p> <ul style="list-style-type: none"> • With 2 drawers • Without motif • Led's (optional)
<p>TV Unit 02 2DD</p> <ul style="list-style-type: none"> • With 2 drop-down doors • Without motif • Led's (optional)
<p>TV Unit 02 1D + 1DD</p> <ul style="list-style-type: none"> • With 1 drawer and 1 drop-down door • Without motif • Led's (optional)
<p>TV Unit 02 2D</p> <ul style="list-style-type: none"> • With 2 drawers • With motif • Led's (optional)
<p>TV Unit 02 2DD</p> <ul style="list-style-type: none"> • With 2 drop-down doors • With motif • Led's (optional)

Price		
Possible Finishes	Point	Light Icon
BX + BX/LM	60	Top
BX + LB 104	64	6
BX + LB Outros	68	Niche
		451918
		3
Price		
Possible Finishes	Point	Light Icon
BX + BX/LM	49	Top
BX + LB 104	54	451919
BX + LB Outros	59	4
Price		
Possible Finishes	Point	Light Icon
BX + BX/LM	32	Top
BX + LB 104	36	451919
BX + LB Outros	40	4
Price		
Possible Finishes	Point	Light Icon
BX + BX/LM	41	Top
BX + LB 104	45	451919
BX + LB Outros	49	4
Price		
Possible Finishes	Point	Light Icon
BX + LM	57	Top
BX + LB 104	62	451919
BX + LB Outros	67	4
Price		
Possible Finishes	Point	Light Icon
BX + LM	40	Top
BX + LB 104	44	451919
BX + LB Outros	48	4

TV Unit

PLAZA

451412

450 1200 450

KG **M3** **Vol.** **ECO**

42 0,243 1 01017010280

TV Unit 02 1D + 1DD

- With 1 drawer and 1 drop-down door
- With motif
- Led's (optional)

Price		
Possible Finishes	Point	
BX + LM	49	Top
BX + LB 104	53	451919
BX + LB Outros	57	4

451413

450 1800 450

KG **M3** **Vol.** **ECO**

65 0,365 1 01017010280

TV Unit 02 2D

- With 2 drawers
- Without motif
- Led's (optional)

Price		
Possible Finishes	Point	
BX + BX/LM	59	Top
BX + LB 104	64	451917
BX + LB Outros	69	6

451418

450 1800 450

KG **M3** **Vol.** **ECO**

55 0,365 1 01017010290

TV Unit 02 2DD

- With 2 drop-down doors
- Without motif
- Led's (optional)

Price		
Possible Finishes	Point	
BX + BX/LM	42	Top
BX + LB 104	46	451917
BX + LB Outros	50	6

451419

450 1800 450

KG **M3** **Vol.** **ECO**

58 0,365 1 01017010290

TV Unit 02 1D + 1DD

- With 1 drawer and 1 drop-down door
- Without motif
- Led's (optional)

Price		
Possible Finishes	Point	
BX + BX/LM	51	Top
BX + LB 104	55	451917
BX + LB Outros	59	6

451420

450 1800 450

KG **M3** **Vol.** **ECO**

65 0,365 1 01017010290

TV Unit 02 2D

- With 2 drawers
- With motif
- Led's (optional)

Price		
Possible Finishes	Point	
BX + LM	64	Top
BX + LB 104	69	451917
BX + LB Outros	74	6

451421

450 1800 450

KG **M3** **Vol.** **ECO**

55 0,365 1 01017010290

TV Unit 02 2DD

- With 2 drop-down doors
- With motif
- Led's (optional)

Price		
Possible Finishes	Point	
BX + LM	47	Top
BX + LB 104	51	451917
BX + LB Outros	55	6

451426

58
 0,365
 1
 01017010290

TV Unit 02 1D + 1DD

- With 1 drawer and 1 drop-down door
- With motif
- Led's (optional)

Price		
Possible Finishes	Point	
BX + LM	56	Top
BX + LB 104	60	451917
BX + LB Outros	64	6

451427

68
 0,425
 1
 01017010290

TV Unit 02 2D

- Avec 2 tiroirs
- Sans motif
- Led's (optionnel)

Price		
Possible Finishes	Point	
BX + BX/LM	62	Top
BX + LB 104	67	451916
BX + LB Outros	72	8

451442

58
 0,425
 1
 01017010290

TV Unit 02 2DD

- With 2 drop-down doors
- Without motif
- Led's (optional)

Price		
Possible Finishes	Point	
BX + BX/LM	44	Top
BX + LB 104	49	451916
BX + LB Outros	53	8

451443

63
 0,425
 1
 01017010290

TV Unit 02 1D + 1DD

- With 1 drawer and 1 drop-down door
- Without motif
- Led's (optional)

Price		
Possible Finishes	Point	
BX + BX/LM	54	Top
BX + LB 104	58	451916
BX + LB Outros	62	8

451444

68
 0,425
 1
 01017010290

TV Unit 02 2D

- With 2 drawers
- With motif
- Led's (optional)

Price		
Possible Finishes	Point	
BX + LM	68	Top
BX + LB 104	73	451916
BX + LB Outros	78	8

451445

68
 0,58
 1
 01017010290

TV Unit 02 2DD

- With 2 drop-down doors
- With motif
- Led's (optional)

Price		
Possible Finishes	Point	
BX + LM	51	Top
BX + LB 104	55	451916
BX + LB Outros	59	8

TV Unit

PLAZA

451446

KG 63 M3 0,425 Vol. 1 ECO 01017010290

TV Unit 02 1D + 1DD

- With 1 drawer and 1 drop-down door
- With motif
- Led's (optional)

Price		
Possible Finishes	Point	Lightbulb Icon
BX + LM	60	Top
BX + LB 104	64	451916
BX + LB Outros	68	8

451447

KG 45 M3 0,243 Vol. 1 ECO 01017010280

TV Unit 03 1N + 1D Right

- With 1 niche and 1 drawer
- With 1 glass shelf
- Without motif
- Led's (optional)

Price		
Possible Finishes	Point	Lightbulb Icon
BX + BX/LM	31	Top 451919
BX + LB 104	36	4
BX + LB Outros	41	Niche 451920
		2

451448

KG 40 M3 0,243 Vol. 1 ECO 01017010280

TV Unit 03 1D + 1N Left

- With 1 drawer and 1 niche
- With 1 glass shelf
- Without motif
- Led's (optional)

Price		
Possible Finishes	Point	Lightbulb Icon
BX + BX/LM	31	Top 451919
BX + LB 104	36	4
BX + LB Outros	41	Niche 451920
		2

451449

KG 45 M3 0,243 Vol. 1 ECO 01017010280

TV Unit 03 1N + 1DD Right

- With 1 niche and 1 drop-down door
- With 1 glass shelf
- Without motif
- Led's (optional)

Price		
Possible Finishes	Point	Lightbulb Icon
BX + BX/LM	22	Top 451919
BX + LB 104	27	4
BX + LB Outros	32	Niche 451920
		2

451450

KG 42 M3 0,243 Vol. 1 ECO 01017010280

TV Unit 03 1DD + 1N Left

- With 1 drop-down door and 1 niche
- With 1 glass shelf
- Without motif
- Led's (optional)

Price		
Possible Finishes	Point	Lightbulb Icon
BX + BX/LM	22	Top 451919
BX + LB 104	27	4
BX + LB Outros	32	Niche 451920
		2

451501		Glass TV suport		Price					
		<ul style="list-style-type: none"> • Transparent Glass • For 2100 and 1800 TV units 		<table border="1"> <thead> <tr> <th>Possible Finishes</th> <th>Point</th> </tr> </thead> <tbody> <tr> <td>Transparent Glass TG-390</td> <td>8</td> </tr> </tbody> </table>		Possible Finishes	Point	Transparent Glass TG-390	8
Possible Finishes	Point								
Transparent Glass TG-390	8								
	<p>36 0,059 1 01017010280</p>	<p>Glass TV suport</p>		<p>Price</p>					
<p>451502</p>		<ul style="list-style-type: none"> • Transparent Glass • For 1200 TV units 		<table border="1"> <thead> <tr> <th>Possible Finishes</th> <th>Point</th> </tr> </thead> <tbody> <tr> <td>Transparent Glass TG-390</td> <td>7</td> </tr> </tbody> </table>		Possible Finishes	Point	Transparent Glass TG-390	7
Possible Finishes	Point								
Transparent Glass TG-390	7								
		<p>Glass TV suport</p>		<p>Price</p>					
	<p>36 0,059 1 01017010280</p>	<ul style="list-style-type: none"> • Transparent Glass • For 1200 TV units 		<table border="1"> <thead> <tr> <th>Possible Finishes</th> <th>Point</th> </tr> </thead> <tbody> <tr> <td>Transparent Glass TG-390</td> <td>7</td> </tr> </tbody> </table>		Possible Finishes	Point	Transparent Glass TG-390	7
Possible Finishes	Point								
Transparent Glass TG-390	7								

TV UNIT

Vertical Modules

451480

26
 0,13
 2
 01017010260

- Module F04 1D**
- With 1 door
 - With 2 glass shelves
 - Without motif
 - Furniture to be fixed to the wall

Price	
Possible Finishes	Point
BX + BX/LM	42
BX + LB 104	44
BX + LB Outros	46

451483

21
 0,13
 3
 01017010260

- Module F04 1D**
- With 1 transparent glass door
 - With 2 glass shelves
 - Without motif
 - Furniture to be fixed to the wall

Price	
Possible Finishes	Point
Transparent Glass TG-390	44

451485

21
 0,13
 3
 01017010260

- Module F04 1D**
- With 1 tinted glass door
 - With 2 glass shelves
 - Without motif
 - Furniture to be fixed to the wall

Price	
Possible Finishes	Point
Glass Color	48
Extra Clear Glass	53

451486

26
 0,13
 2
 01017010260

- Module F14 1D**
- With 1 lifting door
 - Without motif
 - Furniture to be fixed to the wall

Price	
Possible Finishes	Point
BX + BX/LM	47
BX + LB 104	50
BX + LB Outros	53

451487

21
 0,13
 3
 01017010260

- Module F14 1D**
- With 1 lifting door
 - Without motif
 - Furniture to be fixed to the wall

Price	
Possible Finishes	Point
Transparent Glass TG-390	51

451489

21
 0,13
 3
 01017010260

- Module F14 1D**
- With 1 lifting door
 - Without motif
 - Furniture to be fixed to the wall

Price	
Possible Finishes	Point
Glass Color	55
Extra Clear Glass	61

451514		Shelf 900		Price						
		<ul style="list-style-type: none"> • 1 shelf of 900 • Shelf to be fixed to the wall 		<table border="1"> <thead> <tr> <th>Possible Finishes</th> <th>Point</th> </tr> </thead> <tbody> <tr> <td>BX</td> <td rowspan="2">12</td> </tr> <tr> <td>LM</td> </tr> </tbody> </table>		Possible Finishes	Point	BX	12	LM
Possible Finishes	Point									
BX	12									
LM										
	9 0,012 2 01017010240	Shelf 1200		Price						
451515		<ul style="list-style-type: none"> • 1 shelf of 1200 • Shelf to be fixed to the wall 		<table border="1"> <thead> <tr> <th>Possible Finishes</th> <th>Point</th> </tr> </thead> <tbody> <tr> <td>BX</td> <td rowspan="2">14</td> </tr> <tr> <td>LM</td> </tr> </tbody> </table>		Possible Finishes	Point	BX	14	LM
Possible Finishes	Point									
BX	14									
LM										
		11 0,016 2 01017010240		Shelf 1500						
451516		<ul style="list-style-type: none"> • 1 shelf of 1500 • Shelf to be fixed to the wall 		<table border="1"> <thead> <tr> <th>Possible Finishes</th> <th>Point</th> </tr> </thead> <tbody> <tr> <td>BX</td> <td rowspan="2">16</td> </tr> <tr> <td>LM</td> </tr> </tbody> </table>		Possible Finishes	Point	BX	16	LM
Possible Finishes	Point									
BX	16									
LM										
		19 0,020 1 01017010240								

Center Table

451601

KG M3 Vol. ECO
70 0,254 1 01017010290

Center Table 01 Rect

- With 2 drawers and 2 niches
- Without motif

Price	
Possible Finishes	Point
BX + BX/LM	49
BX + LB 104	53
BX + LB Outros	57

451602

KG M3 Vol. ECO
80 0,3 1 01017010290

Center Table 01 Square

- With 2 drawers and 2 niches
- Without motif

Price	
Possible Finishes	Point
BX + BX/LM	52
BX + LB 104	56
BX + LB Outros	60

451605

KG M3 Vol. ECO
65 0,254 1 01017010290

Center Table 02 Rect

- With 2 drawers
- Without motif

Price	
Possible Finishes	Point
BX + BX/LM	54
BX + LB 104	58
BX + LB Outros	62

451606

KG M3 Vol. ECO
65 0,254 1 01017010290

Center Table 02 Rect

- With 2 drawers
- With motif

Price	
Possible Finishes	Point
BX + LM	59
BX + LB 104	63
BX + LB Outros	67

451607

KG M3 Vol. ECO
80 0,3 1 01017010290

Center Table 02 Square

- With 2 drawers
- Without motif

Price	
Possible Finishes	Point
BX + BX/LM	57
BX + LB 104	61
BX + LB Outros	65

451608

KG M3 Vol. ECO
80 0,3 1 01017010290

Center Table 02 Square

- With 2 drawers
- With motif

Price	
Possible Finishes	Point
BX + LM	62
BX + LB 104	66
BX + LB Outros	70